

Technical Data

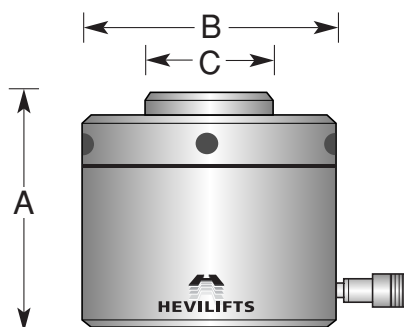




index

Locking Collar Cylinders	3
Low Height Locking Collar Cylinders/Low Height Cylinders	4
Ultra Low Height Jacks	5
Flat Jacks	6
Compact Jacks	7
Single Acting High Tonnage Cylinders	8
Double Acting High Tonnage Cylinders	9
Single/Double Acting Hollow Cylinders	10

locking collar cylinders

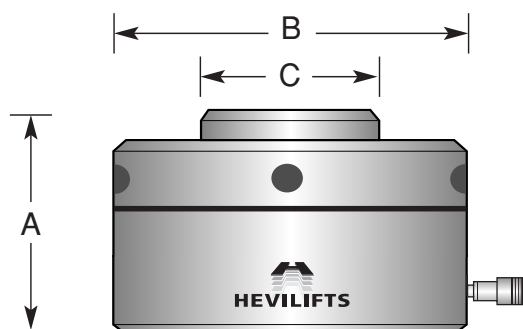


FEATURES

- Locking Collar for Mechanical Load retention
- Tilting Saddle (standard) 5 deg rotation
- Bronze Plated Piston for Corrosion Resistance
- Withstands Side Loading of up to 5%
- Manufactured from High Strength Alloy Steel
- Stroke Limiter via Overflow Port
- Eye bolts as Standard on 50 tonne jacks and above
- Single Acting Load Return
- Maximum Operating Pressure 700 bar

TOOL REFERENCE	CAPACITY (tonne)	FULL STROKE (mm)	CLOSED HEIGHT 'A' (mm)	OUTSIDE DIA. 'B' (mm)	PISTON DIA. 'C' (mm)	OIL CAP (cm ³)	APPROX WEIGHT (kg)
MLPJCA030050	30	50	125	110	65	221	11
MLPJCA030100	30	100	175	110	65	442	15
MLPJCA030150	30	150	245	110	65	663	19
MLPJCA050050	50	50	165	125	85	354	18
MLPJCA050100	50	100	215	125	85	709	23
MLPJCA050150	50	150	265	125	85	1063	28
MLPJCA090050	90	50	180	180	120	664	40
MLPJCA090100	90	100	230	180	120	1327	50
MLPJCA090150	90	150	280	180	120	1991	60
MLPJCA110050	110	50	190	180	120	770	42
MLPJCA110100	110	100	240	180	120	1539	52
MLPJCA110150	110	150	290	180	120	2309	62
MLPJCA145050	145	50	215	200	150	1005	56
MLPJCA145100	145	100	265	200	150	2011	70
MLPJCA145150	145	150	315	200	150	3015	84
MLPJCA200050	200	50	245	250	175	1418	96
MLPJCA200100	200	100	295	250	175	2835	115
MLPJCA200150	200	150	345	250	175	4253	134
MLPJCA250050	250	50	245	300	210	1901	142
MLPJCA250100	250	100	295	300	210	3801	171
MLPJCA250150	250	150	345	300	210	5702	200
MLPJCA350050	350	50	275	320	230	2454	162
MLPJCA350100	350	100	325	320	230	4909	194
MLPJCA350150	350	150	375	320	230	7362	226
MLPJCA500050	500	50	305	400	280	3534	251
MLPJCA500100	500	100	355	400	280	7069	301
MLPJCA500150	500	150	405	400	280	10602	351
MLPJCA750050	750	50	360	470	350	5376	492
MLPJCA750100	750	100	410	470	350	10752	560
MLPJCA750150	750	150	460	470	350	16128	629
MLPJCA1000050	1000	50	405	560	410	7261	785
MLPJCA1000100	1000	100	455	560	410	14522	882
MLPJCA1000150	1000	150	505	560	410	21783	979

low height locking collar cylinders

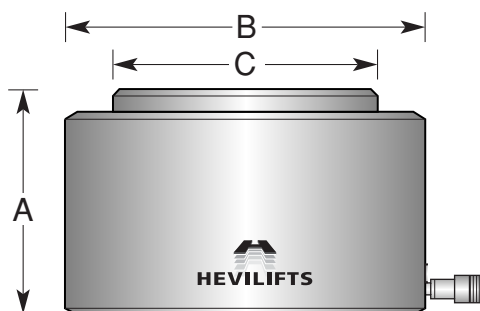


FEATURES

- Locking Collar for Mechanical Load Retention
- Optimum Stroke with Low Height
- Tilting Saddle (standard) 5 deg rotation
- Bronze Plated Piston for Corrosion Resistance
- Withstands Side Loading of up to 5%
- Manufactured from High Strength Alloy Steel
- Stroke Limiter via Overflow Port
- Eye bolts as Standard on 50 tonne jacks and above
- Single Acting Load Return
- Maximum Operating Pressure 700 bar

TOOL REFERENCE	CAPACITY (tonne)	FULL STROKE (mm)	CLOSED HEIGHT 'A' (mm)	OUTSIDE DIA. 'B' (mm)	PISTON DIA. 'C' (mm)	OIL CAP (cm ³)	APPROX WEIGHT (kg)
MLLPJCA050050	50	50	120	125	85	350	14
MLLPJCA110050	110	50	135	180	120	770	25
MLLPJCA145050	145	50	140	200	150	1016	34
MLLPJCA200050	200	50	150	250	175	1401	57
MLLPJCA250050	250	50	160	300	210	1751	88
MLLPJCA350050	350	50	170	320	235	2454	106
MLLPJCA500050	500	50	190	400	285	3504	186

low height cylinders

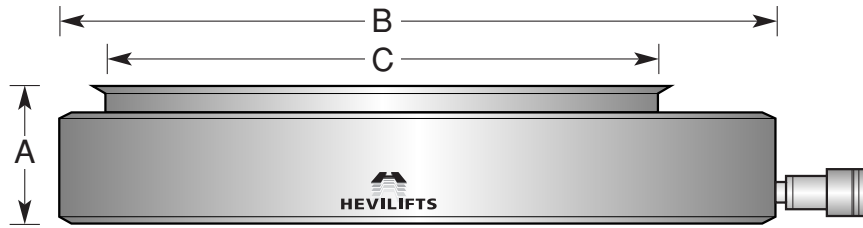


FEATURES

- Full Load Bearing Gland
- Optimum Stroke with Low Height
- Rod Wiper prevents ingress of dirt
- Bronze Plated Piston for Corrosion Resistance
- Exchangeable Ram Cap
- Manufactured from High Strength Alloy Steel
- Eye bolts as Standard on 50 tonne jacks and above
- Single Acting Load Return
- Maximum Operating Pressure 700 bar

TOOL REFERENCE	CAPACITY (tonne)	FULL STROKE (mm)	CLOSED HEIGHT 'A' (mm)	OUTSIDE DIA. 'B' (mm)	PISTON DIA. 'C' (mm)	OIL CAP (cm ³)	APPROX WEIGHT (kg)
MLLJCA010040	10	40	92	70	25	55	3
MLLJCA020045	20	45	100	90	35	124	5
MLLJCA050060	50	60	125	120	55	415	11
MLLJCA110060	110	60	141	170	80	912	26
MLLJCA145060	145	60	155	200	100	1202	45

ultra low height jacks

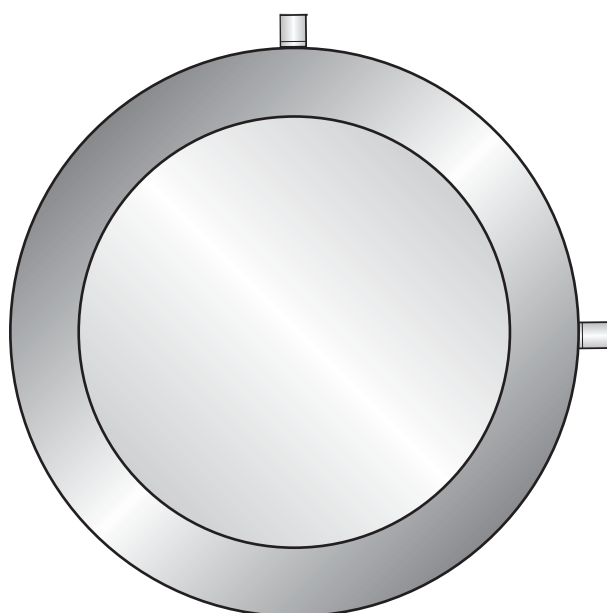
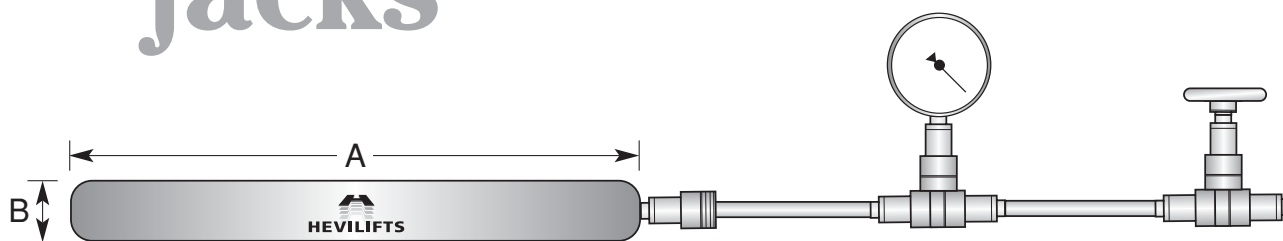


FEATURES

- Lowest Height Reusable Jack Available
- Designed to Minimise Contact Stress at Full Load
- Optimum Stroke with Low Height
- Inherent 5 deg Rotation of Piston
- Manufactured from High Strength Alloy Steel
- Bronze Plated Piston for Corrosion Resistance
- Stroke Limiter via Overflow Port
- Eye bolts as Standard on 50 tonne jacks and above
- Single Acting Load Return
- Maximum Operating Pressure 200 bar

TOOL REFERENCE	CAPACITY (tonne)	FULL STROKE (mm)	CLOSED HEIGHT 'A' (mm)	OUTSIDE DIA. 'B' (mm)	PISTON DIA. 'C' (mm)	OIL CAP (cm ³)	APPROX WEIGHT (kg)
MLUJCA005010	5	10	28	86	57	12	1
MLUJCA005025	5	25	43	86	57	25	2
MLUJCA010010	10	10	28	109	80	49	2
MLUJCA010025	10	25	43	109	80	123	3
MLUJCA015010	15	10	30	127	98	74	3
MLUJCA015025	15	25	45	127	98	184	4
MLUJCA025010	25	10	32	155	126	123	4
MLUJCA025025	25	25	47	155	126	207	7
MLUJCA030010	30	10	33	167	138	147	5
MLUJCA030025	30	25	48	167	138	268	8
MLUJCA050010	50	10	37	211	180	245	10
MLUJCA050025	50	25	52	211	180	613	14
MLUJCA075010	75	10	41	250	218	369	16
MLUJCA075025	75	25	56	250	218	920	21
MLUJCA100010	100	10	45	285	251	491	22
MLUJCA100025	100	25	60	285	251	1226	30
MLUJCA150010	150	10	49	344	308	736	35
MLUJCA150025	150	25	64	344	308	1839	46
MLUJCA200010	200	10	58	393	356	981	55
MLUJCA200025	200	25	73	393	356	2453	70
MLUJCA250010	250	10	63	437	400	1226	73
MLUJCA250025	250	25	78	437	400	3066	91
MLUJCA300010	300	10	66	478	436	1472	93
MLUJCA300025	300	25	81	478	436	3679	114
MLUJCA350010	350	10	70	513	471	1717	114
MLUJCA350025	350	25	85	513	471	4292	138
MLUJCA500010	500	10	87	609	563	2453	200
MLUJCA500025	500	25	102	609	563	6131	234

flat jacks



FEATURES

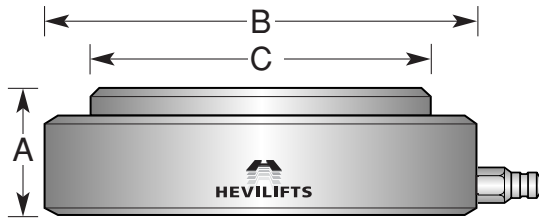
- Low Bearing Stresses
- Low Height
- Accurate Control
- Misalignment Tolerance between Jacking Surfaces
- Temporary & Permanent Options
- Maximum Operating Pressure 150 bar

TOOL REFERENCE	JACK SIZE (tonne)	JACK CAPACITY (kN)	CAPSULE DIA. 'A' (mm)	THRUST PLATE DIA. (mm)	CLOSED HEIGHT 'B' (mm)	MAXIMUM STROKE (mm)	WORKING PRESSURE (bar)
MLFJCA008	8	78.5	120	70	32	25	150
MLFJCA015	15	147	150	100	32	25	150
MLFJCA035	35	343	210	160	32	25	150
MLFJCA050	50	490	250	200	32	25	150
MLFJCA060	60	589	270	220	32	25	150
MLFJCA080	80	785	320	270	32	25	150
MLFJCA100	100	981	350	300	32	25	150
MLFJCA150	150	1471	420	370	32	25	150
MLFJCA190	190	1864	460	410	32	25	150
MLFJCA245	245	2403	515	465	32	25	150
MLFJCA280	280	2747	550	500	32	25	150
MLFJCA350	350	3433	645	595	32	25	150
MLFJCA550	550	5395	750	700	32	25	150
MLFJCA700	700	6867	835	785	32	25	150

The Hevilifts Flat Jack is a circular mild steel capsule fitted with steel thrust plates top and bottom. Each jack has an inlet tube including a shut-off valve for inflation and another normally at 90° which is used for venting purposes, this is then sealed after use.

Non standard jack sizes are available on request.

compact jacks

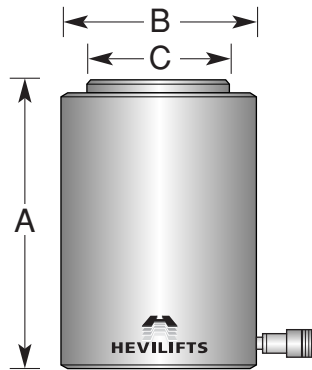


FEATURES

- Optimum Stroke with Low Height
- Inherent 5 deg Rotation of Piston
- Bronze Plated Piston for Corrosion Resistance
- Manufactured from High Strength Alloy Steel
- High Pressure CEJN Fitting
- Stroke Limiter via Overflow Port
- Eye bolts as Standard on 50 tonne jacks and above
- Single Acting Load Return
- Maximum Operating Pressure 1500 bar

TOOL REFERENCE	CAPACITY (tonne)	FULL STROKE (mm)	CLOSED HEIGHT 'A' (mm)	OUTSIDE DIA. 'B' (mm)	PISTON DIA. 'C' (mm)	OIL CAP (cm ³)	APPROX WEIGHT (kg)
MLCJCA005010	5	10	28	45	21	3	1
MLCJCA005025	5	25	43	45	21	8	1
MLCJCA010010	10	10	28	53	29	7	1
MLCJCA010025	10	25	43	53	29	16	1
MLCJCA015010	15	10	30	60	36	10	1
MLCJCA015025	15	25	45	60	36	25	1
MLCJCA025010	25	10	32	72	46	16	1
MLCJCA025025	25	25	47	72	46	41	2
MLCJCA030010	30	10	33	77	51	20	2
MLCJCA030025	30	25	48	77	51	49	2
MLCJCA050010	50	10	37	94	65	33	2
MLCJCA050025	50	25	52	94	65	82	3
MLCJCA075010	75	10	39	112	80	49	3
MLCJCA075025	75	25	54	112	80	123	4
MLCJCA100010	100	10	42	130	92	65	4
MLCJCA100025	100	25	57	130	92	164	6
MLCJCA150010	150	10	47	158	113	98	7
MLCJCA150025	150	25	62	158	113	245	9
MLCJCA200010	200	10	52	182	130	131	10
MLCJCA200025	200	25	67	182	130	327	13
MLCJCA250010	250	10	57	204	146	164	14
MLCJCA250025	250	25	72	204	146	409	18
MLCJCA300010	300	10	59	223	160	196	18
MLCJCA300025	300	25	74	223	160	491	22
MLCJCA350010	350	10	62	241	172	229	22
MLCJCA350025	350	25	77	241	172	572	27
MLCJCA500010	500	10	69	288	206	327	35
MLCJCA500025	500	25	84	288	206	818	43

single acting high tonnage cylinders

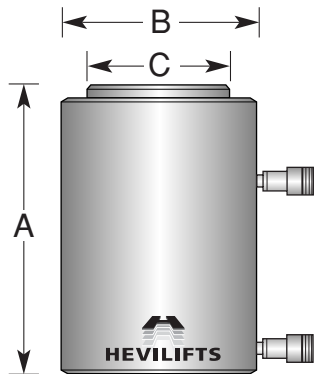


FEATURES

- Hard chromed piston rod
- Withstands Side Loading of up to 5%
- Manufactured from High Strength Alloy Steel
- Exchangeable Ram Cap
- Stroke Limiter via Overflow Port
- Eye bolts as Standard on 50 tonne jacks and above
- Single Acting Load Return
- Maximum Operating Pressure 700 bar

TOOL REFERENCE	CAPACITY (tonne)	FULL STROKE (mm)	CLOSED HEIGHT 'A' (mm)	OUTSIDE DIA. 'B' (mm)	PISTON DIA. 'C' (mm)	OIL CAP (cm ³)	APPROX WEIGHT (kg)
MLSACA050050	50	50	130	125	85	350	12
MLSACA050150	50	150	230	125	85	1051	22
MLSACA050250	50	250	330	125	85	1752	30
MLSACA110050	110	50	150	180	120	771	30
MLSACA110150	110	150	250	180	120	2312	50
MLSACA110250	110	250	350	180	120	3854	70
MLSACA145050	145	50	165	200	150	1016	40
MLSACA145150	145	150	265	200	150	3048	65
MLSACA145250	145	250	365	200	150	5080	90
MLSACA250050	250	50	200	300	210	1752	110
MLSACA250150	250	150	300	300	210	5255	165
MLSACA250250	250	250	400	300	210	8759	220
MLSACA350050	350	50	245	320	230	2453	155
MLSACA350150	350	150	345	320	230	7358	215
MLSACA350250	350	250	445	320	230	12263	280
MLSACA500050	500	50	300	400	280	3504	295
MLSACA500150	500	150	400	400	280	10511	390
MLSACA500250	500	250	500	400	280	17518	490
MLSACA750050	750	50	330	470	350	5255	445
MLSACA750150	750	150	430	470	350	15766	580
MLSACA750250	750	250	530	470	350	26276	715
MLSACA1000050	1000	50	395	560	410	7007	760
MLSACA1000150	1000	150	495	560	410	21021	960
MLSACA1000250	1000	250	595	560	410	35036	1140

double acting high tonnage cylinders

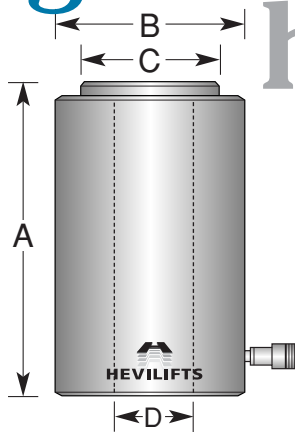


FEATURES

- Full Load Bearing Gland
- Hard Chromed Piston Rod
- Pressure Relief Valve on the Retract Port
- Withstands Side Loading of up to 5%
- Manufactured from High Strength Alloy Steel
- Rod Wiper prevents ingress of dirt
- Exchangeable Ram Cap
- Eye bolts as Standard on 50 tonne jacks and above
- Maximum Operating Pressure 700 bar

TOOL REFERENCE	CAPACITY (tonne)	FULL STROKE (mm)	CLOSED HEIGHT 'A' (mm)	OUTSIDE DIA. 'B' (mm)	PISTON DIA. 'C' (mm)	OIL CAP (cm ³)	APPROX WEIGHT (kg)
MLDACA050050	50	50	170	125	85	350	15
MLDACA050150	50	150	270	125	85	1051	25
MLDACA050250	50	250	370	125	85	1752	35
MLDACA110050	110	50	190	180	120	771	35
MLDACA110150	110	150	290	180	120	2312	55
MLDACA110250	110	250	390	180	120	2854	77
MLDACA145050	145	50	205	200	150	1016	50
MLDACA145150	145	150	305	200	150	3048	75
MLDACA145250	145	250	405	200	150	5080	99
MLDACA250050	250	50	250	300	210	1752	135
MLDACA250150	250	150	350	300	210	5255	190
MLDACA250250	250	250	450	300	210	8759	248
MLDACA350050	350	50	295	320	230	2453	190
MLDACA350150	350	150	395	320	230	7358	240
MLDACA350250	350	250	495	320	230	12263	310
MLDACA500050	500	50	370	400	280	3504	362
MLDACA500150	500	150	470	400	280	10511	460
MLDACA500250	500	250	600	400	280	17518	588
MLDACA750050	750	50	430	470	350	5255	580
MLDACA750150	750	150	530	470	350	15766	710
MLDACA750250	750	250	630	470	350	26277	850
MLDACA1000050	1000	50	490	560	410	7007	920
MLDACA1000150	1000	150	600	560	410	21021	1110
MLDACA1000250	1000	250	700	560	410	35036	1340

single acting hollow cylinders

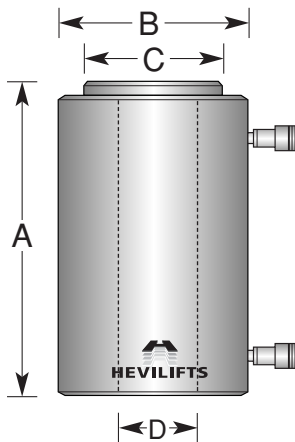


FEATURES

- Hard Chromed Piston Rod
- Full Load Bearing Gland
- Rod Wiper prevents ingress of dirt
- Manufactured from High Strength Alloy Steel
- Eye bolts as Standard on 50 tonne jacks and above
- Single Acting Load Return
- Maximum Operating Pressure 700 bar

TOOL REFERENCE	CAPACITY (tonne)		FULL STROKE (mm)	CLOSED HEIGHT 'A' (mm)	OUTSIDE DIA. 'B' (mm)	PISTON 'C' (mm)	CENTRE HOLE 'D' (mm)	OIL CAPACITY (cm ³)	APPROX WEIGHT (kg)
	PUSH	PULL							
MLHSCA030050	30	N/A	50	170	110	70	30	210	11
MLHSCA030150	30	N/A	150	280	110	70	30	630	19
MLHSCA050050	50	N/A	50	190	160	100	55	350	26
MLHSCA050150	50	N/A	150	310	160	100	55	1050	43
MLHSCA100050	100	N/A	50	220	210	140	80	700	50
MLHSCA100150	100	N/A	150	340	210	140	80	2100	75
MLHSCA150050	150	N/A	50	220	250	165	90	1051	70
MLHSCA150150	150	N/A	150	340	250	165	90	3153	110

double acting hollow cylinders



FEATURES

- Hard Chromed Piston Rod
- Full Load Bearing Gland
- Pressure Relief Valve on the Retract Port
- Rod Wiper prevents ingress of dirt
- Manufactured from High Strength Alloy Steel
- Eye bolts as Standard on 50 tonne jacks and above
- Maximum Operating Pressure 700 bar

TOOL REFERENCE	CAPACITY (tonne)		FULL STROKE (mm)	CLOSED HEIGHT 'A' (mm)	OUTSIDE DIA. 'B' (mm)	PISTON 'C' (mm)	CENTRE HOLE 'D' (mm)	OIL CAPACITY (ADVANCE)(cm ³)	APPROX WEIGHT (kg)
	PUSH	PULL							
MLHDCA030050	30	15	50	180	110	70	30	210	12
MLHDCA030150	30	15	150	300	110	70	30	630	19
MLHDCA030250	30	15	250	420	110	70	30	1050	26
MLHDCA050050	50	25	50	210	160	100	55	350	27
MLHDCA050150	50	25	150	330	160	100	55	1050	45
MLHDCA050250	50	25	250	450	160	100	55	1750	56
MLHDCA100050	100	50	50	240	210	140	80	700	52
MLHDCA100150	100	50	150	360	210	140	80	2100	75
MLHDCA100250	100	50	250	460	210	140	80	3500	102
MLHDCA150050	150	75	50	250	250	165	90	1051	75
MLHDCA150150	150	75	150	370	250	165	90	3153	110
MLHDCA150250	150	75	250	490	250	165	90	5255	150



specialist

contracting

Hevilifts Limited undertake sub-contracts worldwide in the following disciplines:- jacking, propping and sliding of structures.



special

designs

We know from our experience that not every project or operation can be completed utilising standard "off the shelf" hydraulic cylinders and equipment. Hevilifts Limited have been successful in matching customers' requirements with a cost effective solution.



monitoring

& control systems

Hevilifts Limited have developed computer systems based on transducer technology to control or monitor any format of jacking operation, whether at the point of operation or remotely.



stressing

& tensioning

The controlled application of load to strand, rod bar and bolt can be a critical element within a construction project and requires the employment of particular expertise. Hevilifts Limited have developed the equipment and associated techniques to become a world leader through the use of advanced materials and high pressure engineering systems.



HEVILIFTS Limited offers the total solution in the specialist areas of lifting, lowering, moving and weighing heavy and complex structures.

Technical Data



Tel: +44 (0)20 8843 6501 Fax: +44 (0)20 8843 6509 E-mail: info@hevilifts.com

www.hevilifts.com